

## BURTON

Dimensions	2850h x 1800w x 700d
Weight	1500Kg
Burton Shell	Concrete finish
Firebox	6mm black steel firebox
Flue (single skin)	1500mm matte black stainless steel flue
Grill	Stainless steel cooking grill

Manufactured in accordance with AS/NZS2918:2018 as a Woodfired barbeque. A non-tested appliance.

## FLUE REQUIREMENTS

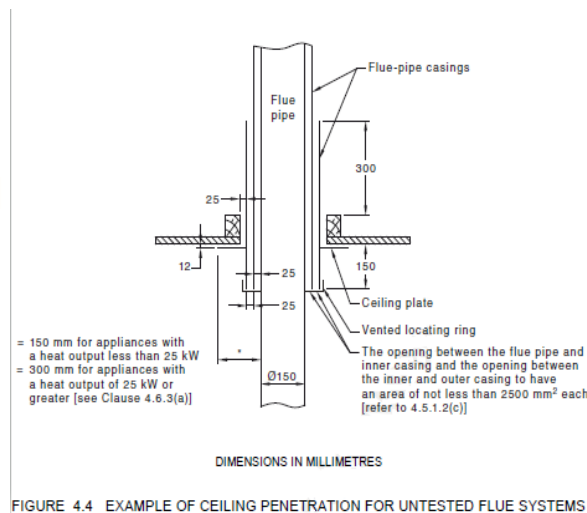
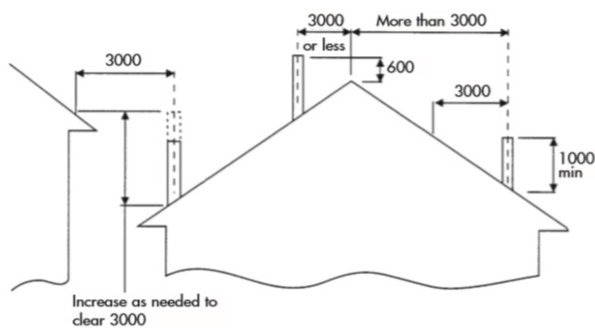
The flue must be installed in accordance with AS/NZS 2918:2018 and the manufacturer's Assembly and Installation sheet. The Burton flue has been designed to be free standing within an outdoor area. It is the recommended method of install.

**Flue type (single or triple casing):** A single flue will need to be installed with a minimum clearance of 800mm from any heat sensitive wall where a triple casing will require a 25mm minimum clearance. Please speak to the Trendz team about what system will be most suitable for your requirements.

**Concrete chimney (replacing black steel flue) and structure:** A ventilated space of 50mm minimum clearance to be provided between the outface of the concrete structure and from any combustible material in accordance with AS/NZS2918:2018.

**Installing the Flue as part of the roof structure:** If the flue is to be installed where it is penetrating through the roof cavity, a customised Trendz triple casing flue is required and it will need a minimum of 25mm clearance from the outcasing of the flue and from any combustible materials. A ceiling plate of no less than 300mm will be required in the total perimeter surrounding the outcasing of the flue.

Roof flue placement as per diagrams:



## HEARTH REQUIREMENTS

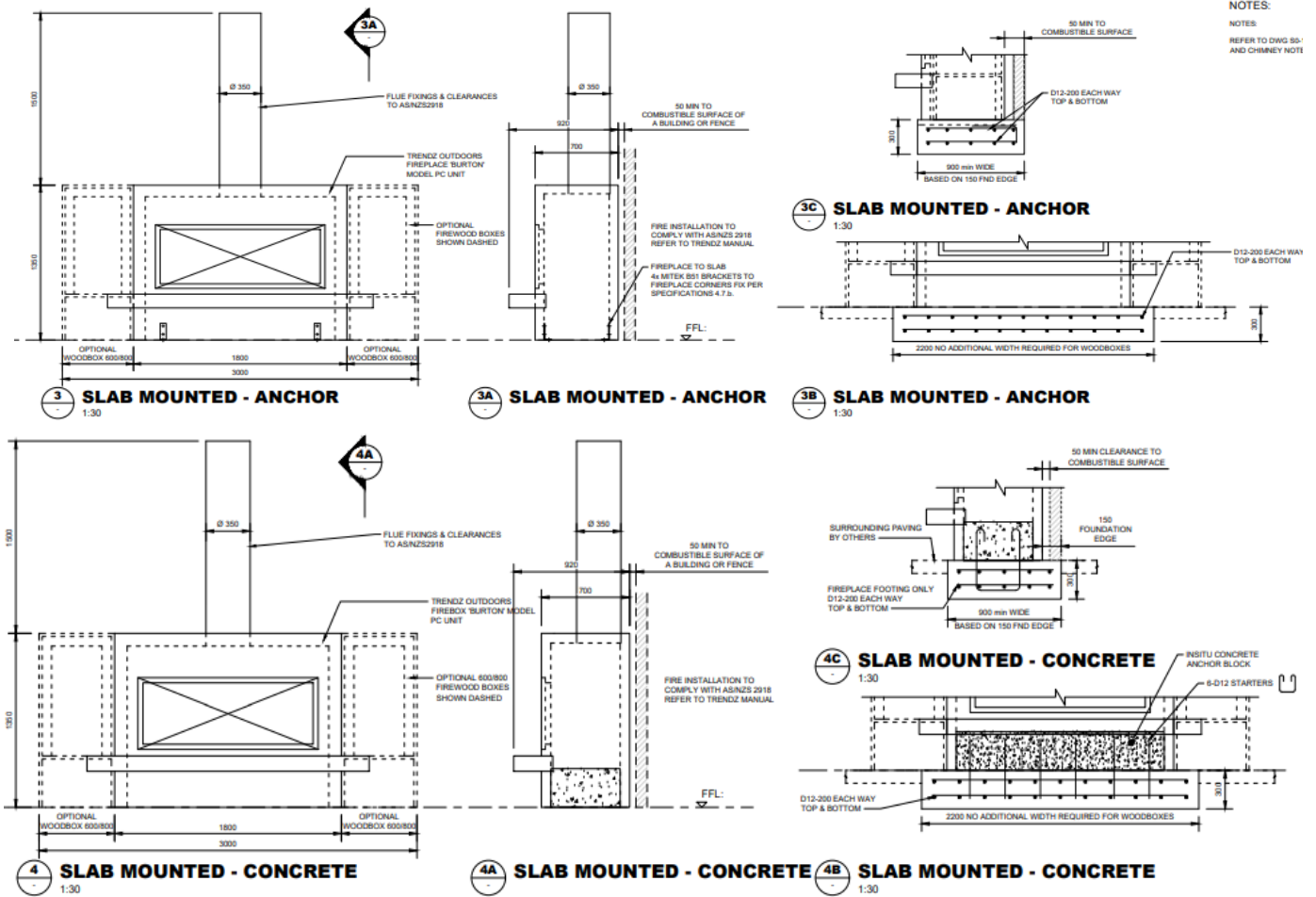
The Burton comes with a concrete structural casing around the steel firebox. It is recommended that the Burton is installed upon a non-combustible flooring (i.e. Masonry, granite, concrete).

**Combustible floor Hearth extension (Floor protector) under, in front and each side of the fireplace:** Where the flooring is deemed a combustible floor (i.e. Timber decking). A heat resistant floor protector (i.e. Masonry or concrete) to be installed under, in front and on each side of the fireplace. Floor protector under the fireplace shall be no less than 75mm thick and to include heat resistant spaces that will form an air gap of not less than 25mm. Air gaps openings must allow for ventilation at edge of the floor protector in accordance with AS/NZS2918:2018 standards. In front of the fireplace where it shall be a minimum of 406mm at the front, with a minimum of 203mm length either side of the fireplace opening in accordance with AS/NZS2918:2018.

**Clearance in front of the fireplace:** No combustible material to be any closer than 1000mm from the opening of the fireplace.

## FOUNDATION REQUIREMENTS

Please contact Trendz to acquire a set of relevant engineers' drawings for the concrete foundations required for your Trendz Fireplace. Trendz will be able to advise which drawings apply to your specific situation.



## CONSENT REQUIREMENTS

Trendz recommends obtaining a building consent, where required, for solid fuel-burning appliances in accordance with the local regulations and/or councils. The application should consider the requirements of the Building Code, AS/NZS 2918 Domestic solid fuel burning appliances, Trendz Outdoors manufacturer's installation instructions and the National Environmental Standards for Air Quality.

If being installed with the flue penetrating the roof of a building, an Application for building consent for a residential wood burner needs to be completed. It must then comply with AS/NZS 2918:2018 Standard.

## WARRANTY

The design of the outdoor fireplace has been done in accordance with AS/NZS2918:2018. The user should satisfy themselves that the installation is fit for purpose and complies with all local and national codes.

All Trendz outdoor fireplaces come with a 2 year manufacturers guarantee.

- In the event that any part of your TRENDZ OUTDOOR FIRE is found within 2 years of the invoice date to have undergone structural failure due to faulty workmanship or materials. This will not include slight cracks (5mm or less) within the concrete which may occur due to the heat output of the fireplace.
- And that defect is not due to I. Negligence, abuse, accidents, lack of maintenance or improper installation; II. Products tampered with or modified
- Fair wear and tear Trendz Outdoor Fires will:
- Repair or replace the part found in Trendz Outdoor Fire's judgement to have been defective in workmanship and materials. Note: Small surface cracks will often appear after the fire has been put into service.

These are an inevitable result of the heat process and in no way will affect the structural integrity of the product. Warranty does not cover rust. It is recommended that the fire box is cleaned and recoated every 4 -6 months with a heat-resistant paint

For more information please visit [trendzoutdoors.co.nz](http://trendzoutdoors.co.nz) or Freephone 0508 252 784

## CAUTION

- This appliance is not intended for use by persons (including children) with reduced physical, sensory, or mental capabilities, or lack of experience and knowledge unless they have been given supervision or instruction concerning use of the appliance by a person responsible for their safety.
- Do not leave children unattended near the alighted fire and keep them well away from the burner when in use. Supervise young children to ensure that they do not play with the appliance.
- Do not use flammable liquids or aerosols to start or rekindle the fire. Also, do not use such flammable materials near this appliance when it is operating.
- Only use burning appropriate fuels in accordance with the National Environmental Standards for Air Quality and Local Council standards. Dry firewood, sourced from a reputable wood merchant, is the most appropriate fuel for use in wood burners. Dry wood has a lower moisture content than wet wood and when burned it produces less smoke and less particulate matter pollution. The size and quality of your wood also has an effect on the efficiency of your wood burner.
- Always keep clothing, firewood, furnishing, and other combustible materials at a safe distance from the fire.
- Do not touch any part of the fire other than the surrounding concrete casing as all of the other components can be extremely hot.
- Do not attempt to clean or maintain the fire when in use or with hot embers in the firebox. Ensure that embers and all other parts of the burner have cooled down completely before starting ash removal or other maintenance.
- Do not use the fire if there is a malfunction, a suspicion of breakage, or unusual noise. Contact Trendz Outdoors.