

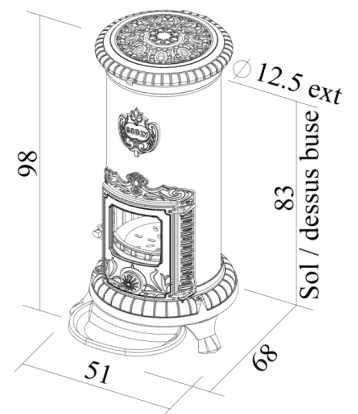


The Petit Godin has an iconic look that makes it the main attraction in any home. It features beautiful cast iron embellishments that come in a range of designer colours. The Petit Godin's beautiful, unique design is so versatile, it doubles as both an efficient fireplace and a statement piece, standing out against the backdrop of any modern or classic home.

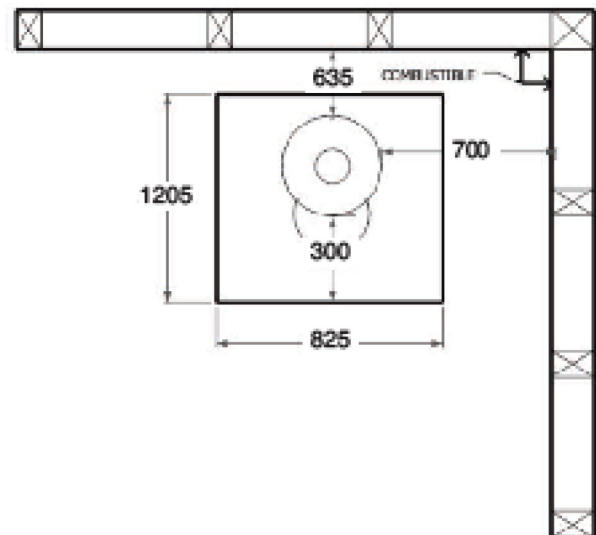
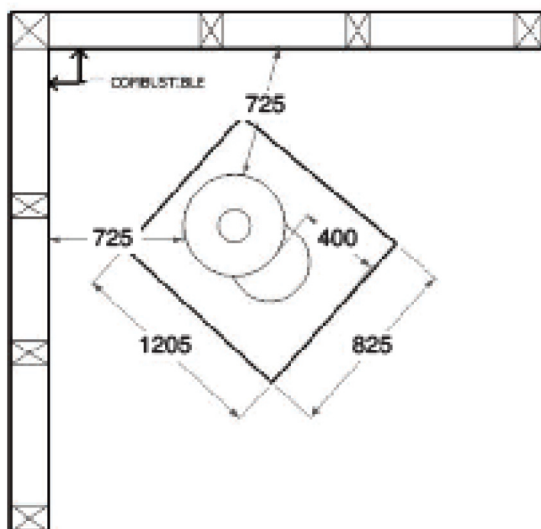
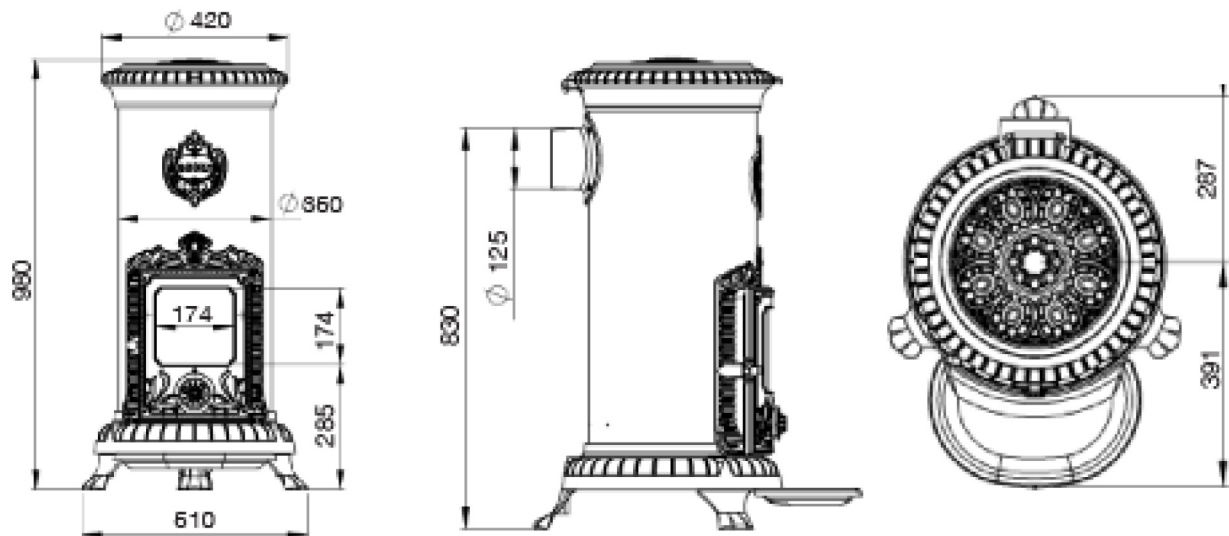


## FEATURES & BENEFITS:

- Timeless, unique fireplace design
- 9 beautiful colours to choose from
- Heat output up to 150sq.m
- Weight 100kg
- Front & top loading fuel
- Fuel: wood-burning, logs up to 25cm and 50cm vertical
- Flue size 125mm
- Fireplace all cast iron and enamelled steel
- Advantage - positioning of logs vertically allows for longer burn time up to 7-8 hours



# GODIN PETIT STANDARD INSTALLATION



## HEATER DIMENSIONS

Height = 955mm  
 Width = 425mm  
 Depth = 710mm  
 Weight = 102kg

## HEARTH REQUIREMENTS

Minimum Width = 825mm  
 Minimum Depth = 1205mm  
 From door to front of hearth = 300mm  
 Hearth thickness = 20mm

## DATA SPECIFICATION

Heating Capacity = 160 sq m  
 Flue Type = Triple skin flue  
 Report Number: ASFT17048

## CLEARANCE FROM NON COMBUSTIBLE MATERIAL

Rear = 100mm Side = 100mm Corner = 100mm

## CLEARANCES FROM COMBUSTIBLE MATERIAL

Rear = 635mm Side = 700mm Corner = 725mm

## IMPORTANT:

Appliance and Flue kit to be strictly installed in accordance to AS/NZS 2918:2001 and the appropriate requirements of the relevant codes. Installer to be a qualified licensed person.

**CHEMINÉES  
 PHILIPPE  
 AUSTRALIA**