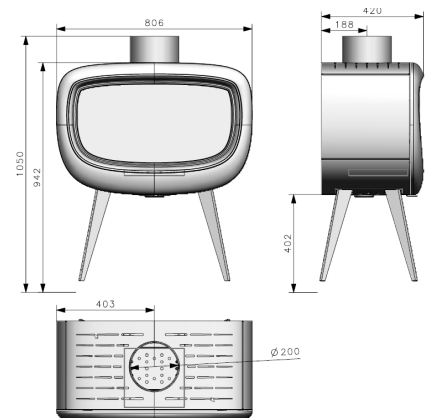




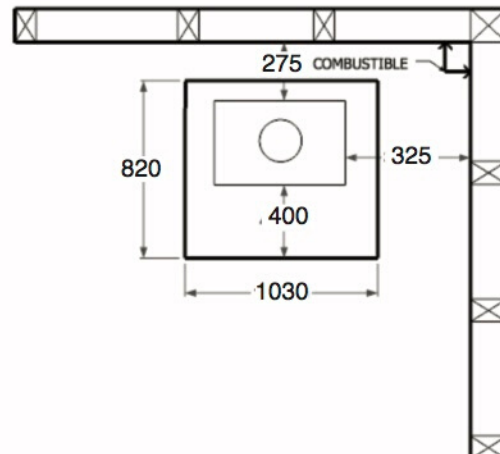
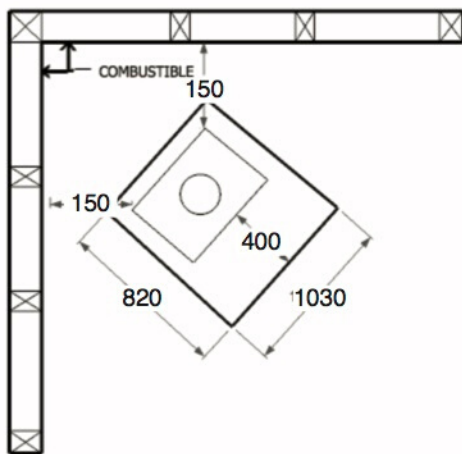
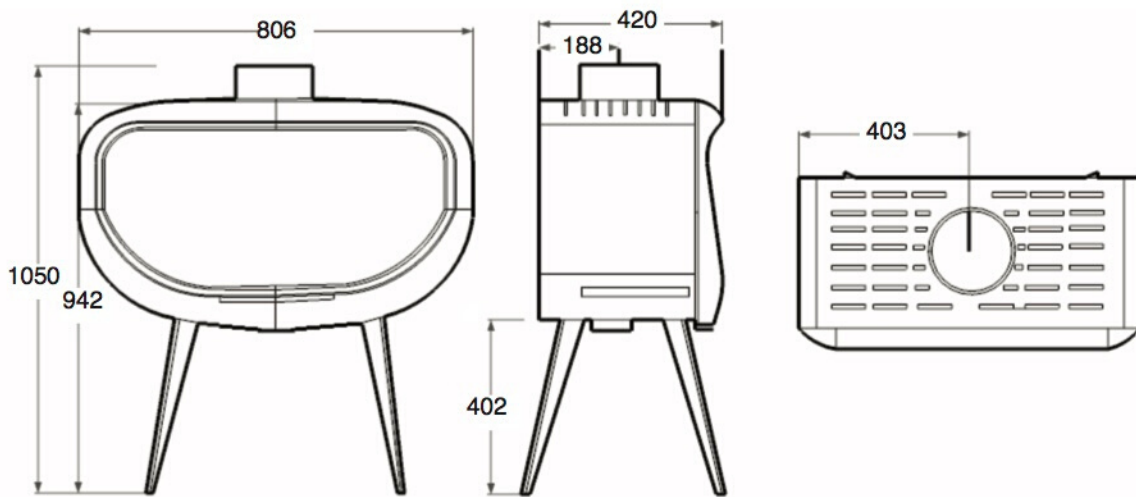
Like a mid-century TV console, the Baguera's retro-styled designed cast iron wood fire is the perfect complement to a modern interior. Affectionately nicknamed "The Bush TV" the Baguera will delight you with it's "groovy" looks and amazing heat.

FEATURES & BENEFITS:

- Unique contemporary design
 - Heat output up to 200sq.m
 - Weight 170kg
 - Fuel: wood burning, logs up to 33cm
 - Front loading
 - Flue size 150mm
- Constructed of Cast iron and steel



GODIN BAGUERA STANDARD INSTALLATION



HEATER DIMENSIONS

Height = 1050mm
 Width = 806mm
 Depth = 420mm
 Weight = 170kg

HEARTH REQUIREMENTS

Minimum Width = 1030mm
 Minimum Depth = 820mm
 From door to front of hearth = 400mm
 Hearth thickness = 20mm

DATA SPECIFICATION

Heating Capacity = 140 sq m
 Flue Type - 6" /150mm Triple skin flue
 Report Number: ASFT17089

CLEARANCE FROM NON COMBUSTIBLE MATERIAL

Rear = 100mm Side = 100mm Corner = 100mm

CLEARANCES FROM COMBUSTIBLE MATERIAL

Rear = 275mm Side = 325mm Corner = 150mm

**CHEMINÉES
 PHILIPPE
 AUSTRALIA**

430 Johnston St., Abbotsford, Victoria 3067 Phone: 03 9417 3315
 e-mail: sales@wignells.com.au www.chemphilaust.com.au

IMPORTANT:

Appliance and Flue kit to be strictly installed in accordance to AS/NZS 2918:2001 and the appropriate requirements of the relevant codes. Installer to be a qualified licensed person.